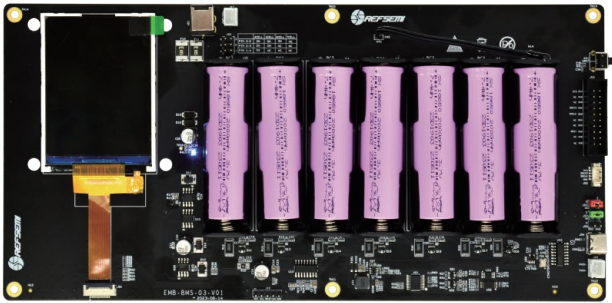




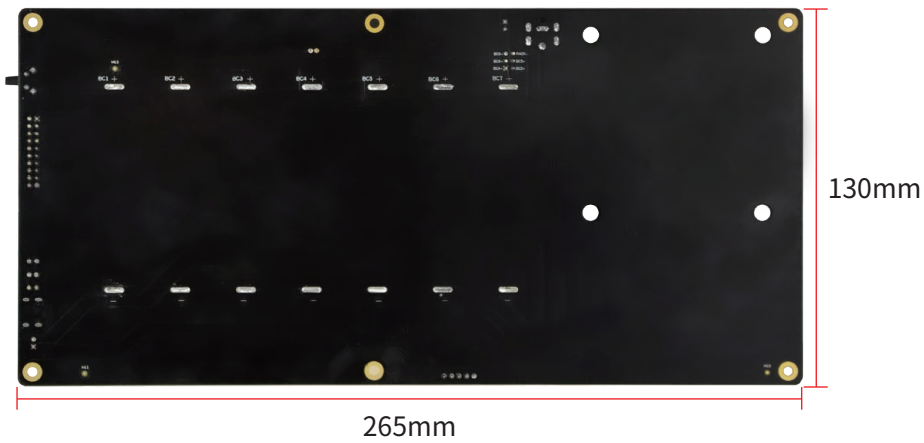
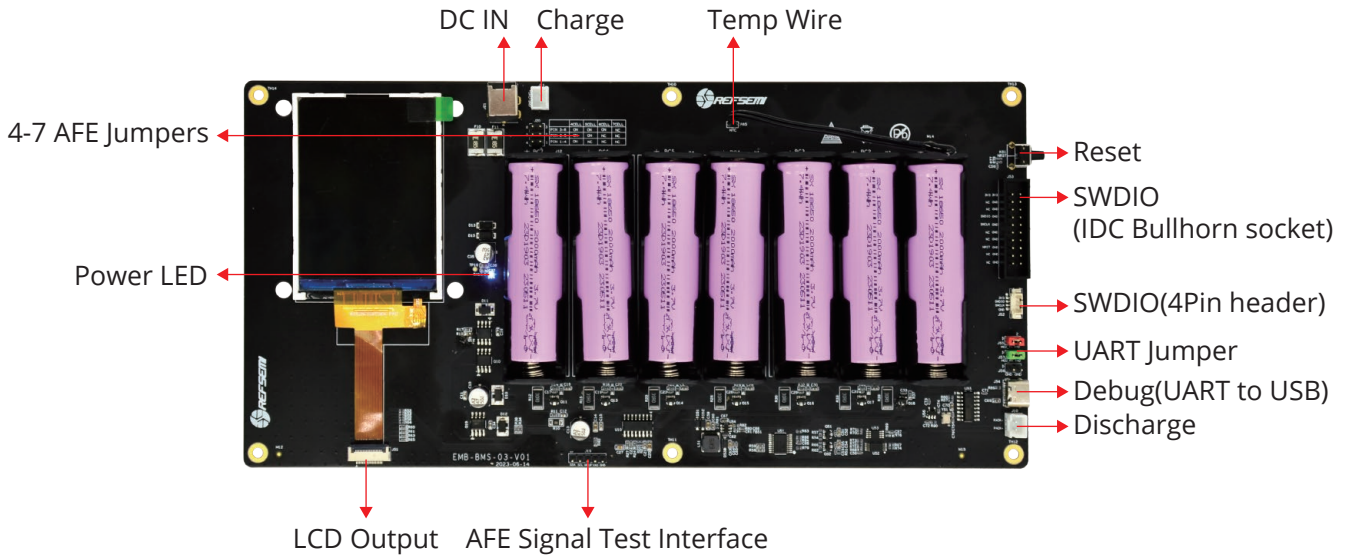
Embedded Motherboard Based on MindMotion MM32F0141B1T MCU



Specification:

Item	Specification
MCU	MindMotion MM32F0141B1T, 32-bit Arm® Cortex®-M0, up to 72MHz
AFE Chip	REFSEMI REF6107, supports 4-7 18650 Li-ion cells
External Storage	1KB EEPROM
Charge	One cell's charging voltage is $4.20V \pm 0.05V$, and the standard charging current is 0.3C A
Discharge	Standard discharging current is 1.0C A
Cell	Supports 4-7 18650 Li-ion cells (Maximum voltage of one cell is 4.2V, and 7 cells total 29.4V)
Equalization	(1) External equalization for default, maximum current 50mA; (2) Internal equalization is optional.
Protection	Integrated undervoltage lockout and battery disconnect detection.
DC IN	1 x 5.5mm/2.1mm DC socket as charging port
Display	1 x 2.8" LCD with resolution at 240*320
Flash	1 x SWDIO flash interface, includes 20Pin standard IDC and 4Pin simplified interface
Communication	1 x USB Type-C for debug and external control
Button & LED	(1) 1 x Reset button (2) 1 x Power indicator
Temperature Wire	Used for collecting data of battery temperature
Operating Temperature	Single board: -40°C to $+85^{\circ}\text{C}$ Cells: -20°C to $+60^{\circ}\text{C}$
Applications	Used in sweepers, hoovers and other fields
Dimension	256mm x 130mm

I/O Interfaces and Dimensions:



ABOUT POLYHEX

As a board level and system level designer and manufacturer, Polyhex, always delivers best-in-class embedded computing solutions based on both ARM and X86 architecture, including hardware customization and software debugging etc. Partnered with silicon vendors like Intel, NXP, ST, Rockchip, Allwinner and so on, we have earned trust from clients worldwide in over 30 countries. Polyhex is also certified with ISO9001 and ISO13485 for the self-owned manufacture facility.

